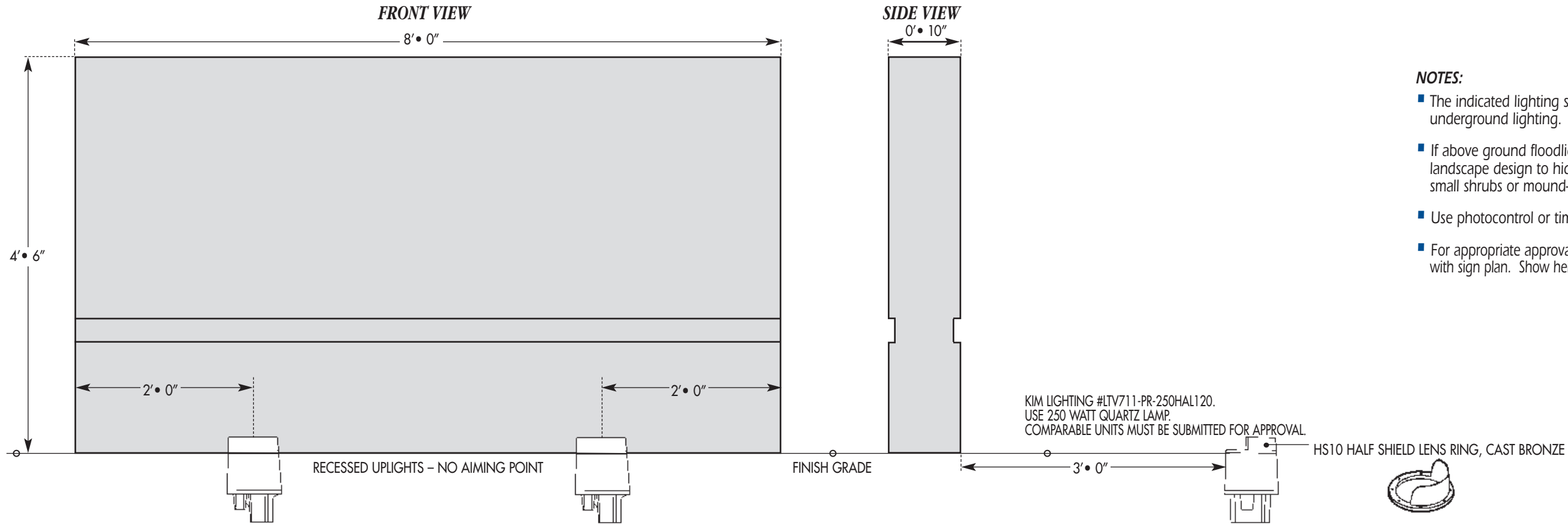


RECESSED LIGHTING SYSTEM



NOTES:

- The indicated lighting systems offer an option between floodlight or underground lighting. Select one type of system.
- If above ground floodlight system is selected, choose a low-profile landscape design to hide and protect the above ground unit, e.g. small shrubs or mound-up landscape.
- Use photocontrol or timer photocontrol.
- For appropriate approvals it is required to submit landscape plan with sign plan. Show height of installation above grade and location.

ABOVE GROUND LIGHTING SYSTEM

